

Order#: R72001 Model Number: RENO-SENSOR-PC-S
Photocell Sensor for UFO HIGHBAY/SHOebox/CANOPY FIXTURE



INTRODUCTION

The photoelectric switch RENO-SENSOR-PC-S is applicable to control the street lighting passage lighting and doorway lighting automatically in accordance with the ambient lighting level. This product is designed with electronic circuits. Its quicker response with time delay of 3-10 seconds offers easy-to-test feature. Especially, model RENO-SENSOR-PC-S provides a wide voltage range for customer applications. Further, a preset 3-10 seconds time-delay might avoid mis-operation due to spotlight or lightning during the night time. This product has been listed by UL Inc and complies with the Standard for Non-industrial Photoelectric Switches for Lighting Control UL773A.

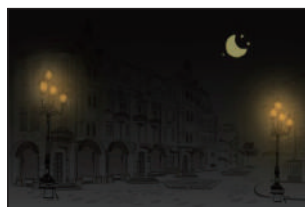
SPECIFICATIONS

Rated Voltage	12-24V AC
Rated Frequency	50mA±5%
Power consumption	0.4W max
Operate Level	10~20Lx On / 30~80Lx Off
Ambient Temperature	99%RH
Temperature	-40°F ~ +158°F (-40°C ~ +70°C)

PHOTOCELL FUNCTION

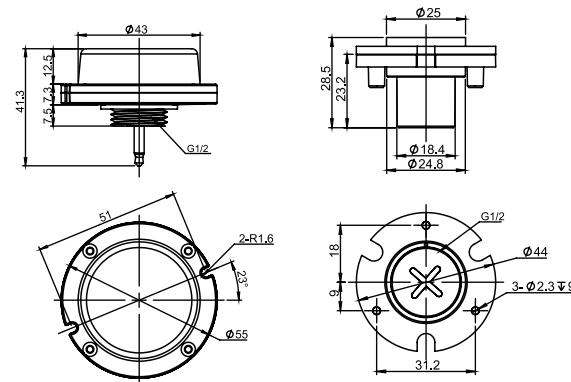


With sufficient natural light, the light does not switch on whether presence is detected

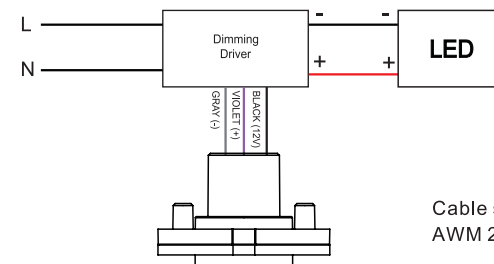


With insufficient natural light, the sensor switches on the light automatically

DIMENSIONS



WIRING DIAGRAMS



Cable specifications:
 AWM 2464 /22AWG /80°C /300V